

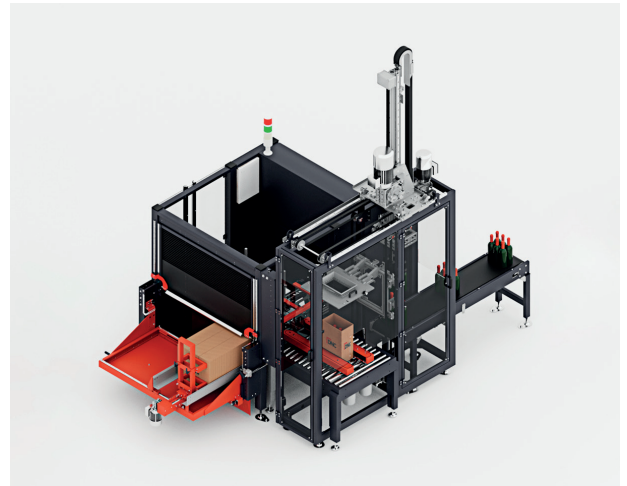


MODEL

BiZZY

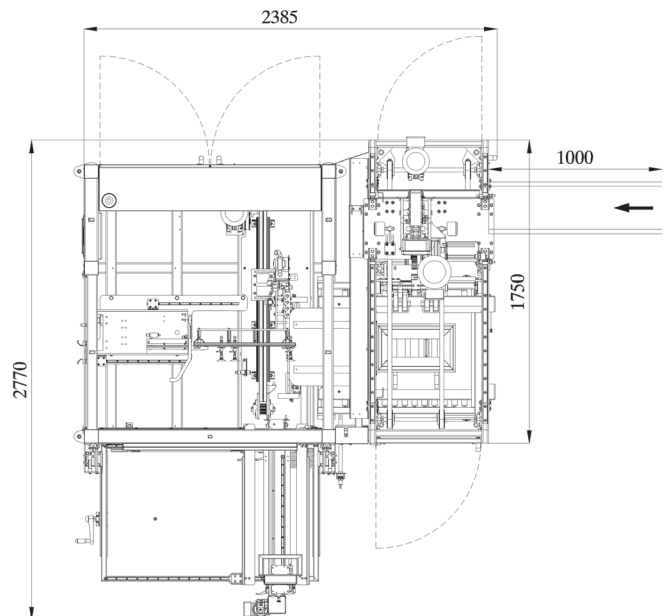
MONOBLOC CASE ERECTING AND PACKING MACHINE

Compact equipment for erecting then packing boxes. Its modular design offers a wide variety of installation options so it can be adapted to any kind of workspace, no matter how small. Its various different head options make this machine a universal solution for any packing needs.



FEATURES

- Suitable for a wide range of rigid or semi-rigid products.
- Several lay-out options.
- Quick change head system.
- Format adjustments using a touch screen with graphic menu.
- Up to 8 production cycles per minute.
- Maximum load: 40 kg
- CE certification in accordance with 2006/42/CE directive.



Carton sizes supported					
Width		Length		Height	
min.	max.	min.	max.	min.	max.
120	410	210	400	100	400

Working requirements	
Voltage	230/400v III+T+N
Installed capacity	6.45 KW
Power consumption	3.70 KWh
Pneumatic pressure	6 bar
Air consumption	12 l/cycle